



M PLUS Series Digger Derrick Pitman Polecat Sheave Heights up to 50'



M PLUS Standard Features

- Center Mount
- Corner Mount
- Rear Mount with Rider Seat
- Boom Travel +80 to -20
- Full Pressure Hydraulic Controls
- Two Stage Hydraulic Steel Boom
- Non-Continuous Planetary Rotation
- Holding Valves
- A-Frame Outriggers
- Outrigger Isolation Kit
- High-Tensile Steel for Low Weight
- Worm Drive Winches
- Hydraulic Auger Drives

M47 Plus Shown Above

Models	Sheave Height	Capacity @ 10'
M42H	42'-2"	13,400
M45H	45'-1"	12,600
M47H	47'-0"	12,250
M50H	49'-10"	12,450

Pitman Utility Products 13902 Norby Rd. Grandview, MO 64030
Phone (816) 965-6700 Fax (816) 965-6701 www.pitmanmfg.com



Shown with Optional Rider Seat



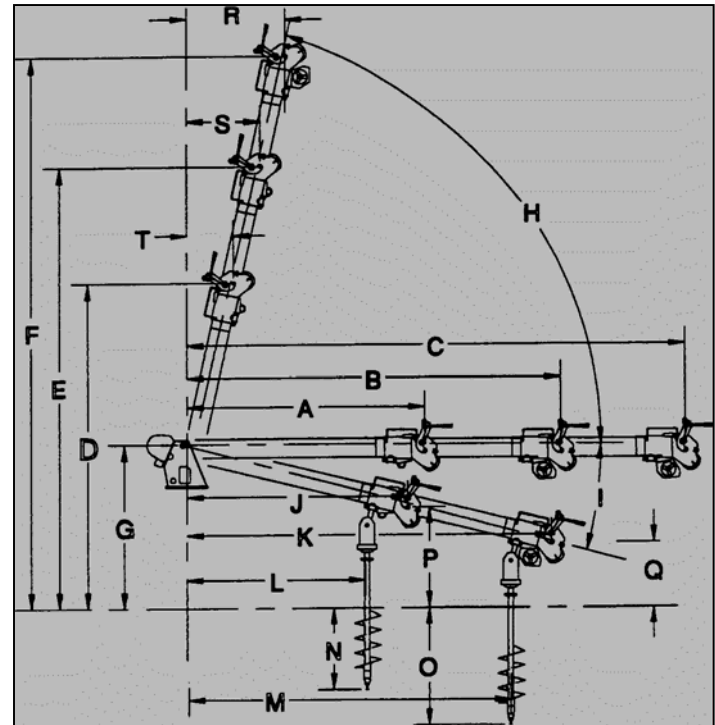
Shown with Optional Digger

Model	A	B	C	D	E	F	G	H	I	J	K	L	M
M42	15'-6"	23'-7"	32'-4"	25'	33'-6"	42'-2"	11'	+80	-20	12'-8"	21'-4"	10'-11"	19'
M45	18'	26'-4"	35'-4"	27'-6"	36'-3"	45'-1"	11'	+80	-20	15'-3"	24'	13'-4"	21'-7"
M47	18'	27'-4"	37'-4"	27'-6"	37'-3"	47'	11'	+80	-20	15'-3"	25'	13'-4"	22'-7"
M50	18'	28'-8"	40'-2"	27'-6"	38'-5"	49'-10"	11'	+80	-20	15'-3"	26'-6"	13'-4"	23'-11"

Optional Equipment

- Steel or Fiberglass 3rd Boom
- Manual or Hydraulic Extension
- Fiberglass Boom Tip
- Single, 2-Speed, and 2-Speed Shift on Demand
- Swing Out Control Console
- Quad Command Single Lever Control
- Tilting and Transferable Pole Claws
- Planetary or Worm Gear Winches
- Articulating Transformer Jibs to 10'
- Platforms at the Boom Tip
- Top Controls at Boom Tip
- Continuous Planetary Rotation
- Hydraulic Overload Protection
- Digger Stow and Transfer Protection
- Additional Outriggers
- Hydraulic Tool Outlets
- Radio Remote Controls
- Other Options – Consult Factory

Range Chart Dimensions



Distributed By:

13902 Norby Rd. Grandview, MO 64030
 Phone (816) 965-6700 Fax (816) 965-6701
www.pitmanmfg.com