



TC Series Pitman Crane Over 40,000 lb. Capacity Sheave Heights up to 82'



TC-30-50 Shown Above

TC Features

- Center, Rear, or Corner Mount**
- Rectangular Subframe**
- Continuous Rotation**
- Overload Protection**
- Sideload Protection**
- Load Moment Indicator**
- Capacities over 20 Tons**
- Anti-Two Block**
- 10', 15' & 22' Jibs**
- Full Pressure Hydraulic Controls**
- Radio Remote Controls**
- Pin on Bucket Options**
- Pin on Steel Platforms**
- Hydraulic Digger Assemblies**
- Auxiliary Outriggers**
- Two Speed Winch**

Models	(w/15' jib)	(w/22'jib)	Models	(w/15' jib)	(w/22' jib)
TC-30-42	30-57		TC-40-42	40-57	
TC-30-45	30-60	30-67	TC-40-45	40-60	
TC-30-47	30-62	30-69	TC-40-50	40-65	40-72
TC-30-50	30-65	30-72	TC-40-55	40-70	40-77
			TC-40-60	40-75	40-82

Pitman Utility Products 13902 Norby Rd. Grandview, MO 64030
 Phone (816) 965-6700 Fax (816) 965-6701 www.pitmanmfg.com



Shown with Optional 22' Swing Around Jib

Shown with Optional 15,000 ft. lb. Digger

Model	A	B	C	D	E	F	G	H	I	J	K	L	M	(F) 15' Jib	(F) 22' Jib
TC-30-42	15'-6"	23'-7"	32'-4"	25'	33'-6"	42'-2"	11'	+80	-20	12'-8"	21'-4"	10'-11"	19'	57'-2"	-----
TC-30-45	18'	26'-4"	35'-4"	27'-6"	36'-3"	45'-1"	11'	+80	-20	15'-3"	24'	13'-4"	21'-7"	60'-1"	67'-1"
TC-30-47	18'	27'-4"	37'-4"	27'-6"	37'-3"	47'	11'	+80	-20	15'-3"	25'	13'-4"	22'-7"	62'	69'
TC-30-50	18'	28'-8"	40'-2"	27'-6"	38'-5"	49'-10"	11'	+80	-20	15'-3"	26'-6"	13'-4"	23'-11"	65'	72'
TC-40-42	16'-2"	23'-7"	31'-9"	26'-7"	34'-6"	42'-5"	11'-6"	+80	-20	13'-3"	21'-3"	11'-5"	18'-11"	57'-5"	-----
TC-40-45	16'-2"	25'-5"	34'-8"	26'-7"	36'-3"	45'-4"	11'-6"	+80	-20	13'-3"	23'-1"	11'-5"	20'-7"	60'-4"	-----
TC-40-50	19'-3"	29'-2"	39'-8"	29'-8"	39'-11"	50'-3"	11'-6"	+80	-20	16'-5"	26'-10"	14'-4"	24'-1"	65'-3"	72'-3"
TC-40-55	21'-3"	32'-8"	44'-9"	31'-6"	43'-3"	55'-2"	11'-6"	+80	-20	18'-5"	30'-4"	16'-2"	27'-4"	70'-2"	77'-2"
TC-40-60	21'-9"	35'-5"	49'-8"	32'-2"	46'-1"	60'-2"	11'-6"	+80	-20	18'-11"	33'-1"	16'-10"	30'-2"	75'-2"	82'-2"

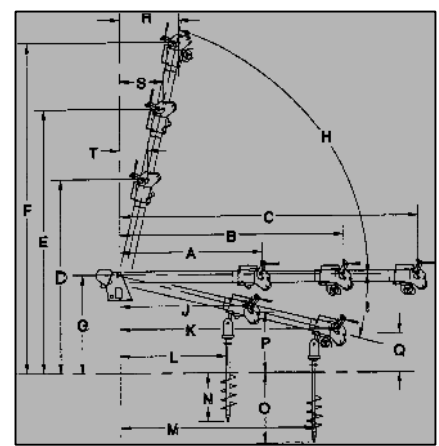
Range Chart Dimensions Shown Optional Jibs (F)



Corner Mount Design



Radio Controls



Distributed By:



13902 Norby Rd. Grandview, MO 64030
 Phone (816) 965-6700 Fax (816) 965-6701
 www.pitmanmfg.com